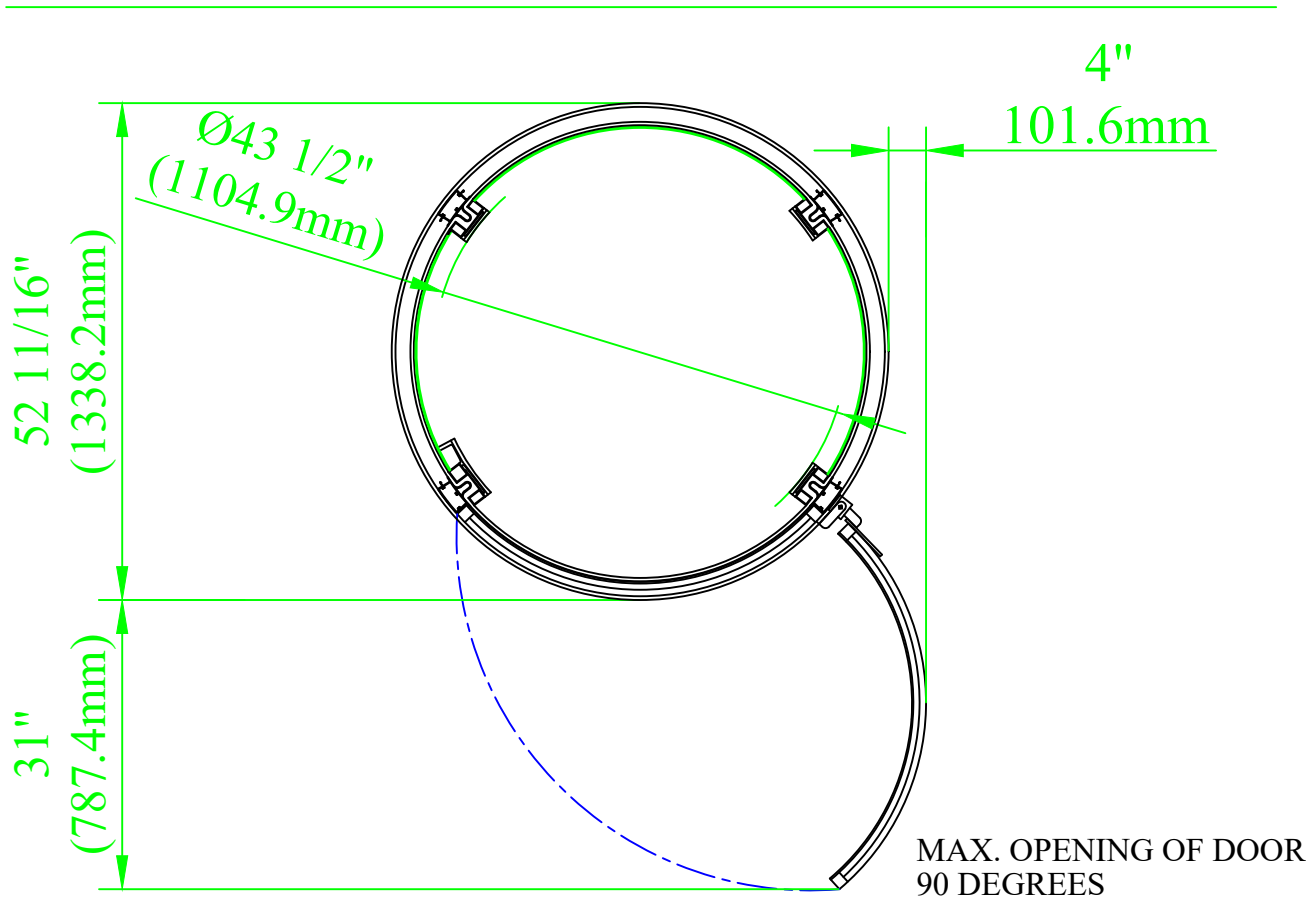



PVE 52 - DIMENSIONS

SCALE 2:1



Itemref.	Quantity	Material	Dimensions	Article No./ Reference				
 PNEUMATIC VACUUM ELEVATORS LLC	SPACE REQUIREMENT FOR MAX DOOR OPENING - MODEL PVE52			Designed by	Scale	Drawing No.	Rev	Date
	HS	2:1	D-T52-H-02	0	08/24/17			