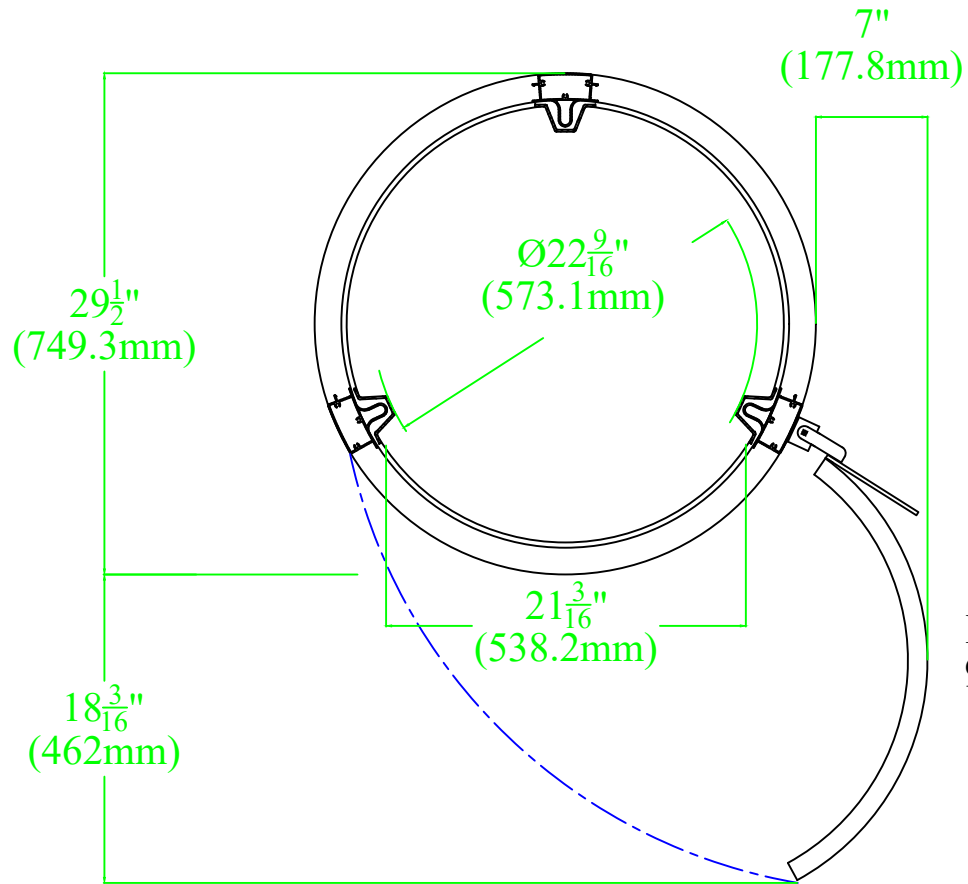



# PVE 30 -DIMENSIONS

SCALE 2:1



MAX. OPENING OF DOOR  
90 DEGREES

Itemref.	Quantity	Material	Dimensions	Article No./ Reference				
 <b>PNEUMATIC VACUUM ELEVATORS LLC</b>	<b>SPACE REQUIREMENT FOR MAX DOOR OPENING - MODEL PVE30</b>			Designed by	Scale	Drawing No.	Rev	Date
	HS	2:1	D-T30-H-02	0	08/24/17			